

コード付きLED
青
LK-5BL-CRL50

※このデータシートは、コードを取り付ける前のLED単体のデータシートです。

CURRENT REGULATIVE LED

CRLED

- CRLED is LED which supplies constant current to keep LED Intensity Consistency even when power supply voltage fluctuations or load impedance fluctuations occur.
- CRLED is used with current stabilization and current limiting

■Features

- High Luminous LEDs / 5mm Round Standard Directivity
- Superior Weather-resistance / UV Resistant Epoxy
- Water Clear Type

■Absolute Maximum Rating

(Ta=25°C)

Item	Symbol	Value	Unit
DC Forward Voltage	V _F	20	V
Power Dissipation	P _D	320	mW
Operating Temperature	T _{opr}	-30 ~ +85	°C
Storage Temperature	T _{stg}	-40 ~ +100	°C
Lead Soldering Temperature	T _{sol}	260°C/5sec	-

■Electrical -Optical Characteristics

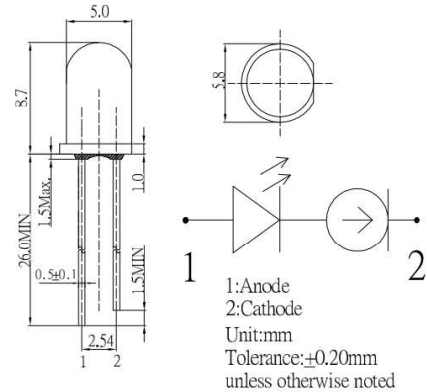
(Ta=25°C)

Color	V _F (V)		I _F (mA)			I _R (μA)	I _v (mcd)*			λD(nm)*			2θ1/2(deg)
	Min	Ma	Min	Typ.	Max.	Max..	Min.	Typ.	Max.	Min.	Typ.	Max.	Typ.
Blue	5.5	20	-	14	-	10	-	6500	-	465	470	475	30

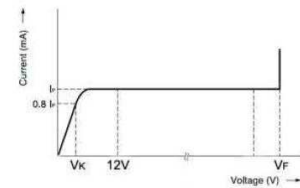
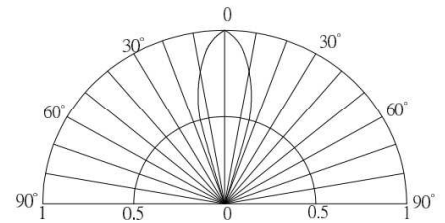
V_F = 12V V_R = 8V V_F = 12V

- *1 Tolerance of measurements of chromaticity coordinate is ±10%
- *2 Tolerance of measurements of dominant wavelength is ±1nm
- *3 Tolerance of measurements of luminous intensity is ±15%
- *4 Tolerance of measurements of forward voltage is±0.1V

■Outline Dimension



■Directivity



Explanation of terms
 I_p Pinch-off current at 12v
 V_k Voltage which produces 0.8Ip or greater current
 V_f Breakdown voltage