

コード付きLED
白
LK-5WH-CRL50

※このデータシートは、コードを取り付ける前のLED単体のデータシートです。

## CURRENT REGULATIVE LED

# CRLED

- CRLED is LED which supplies constant current to keep LED Intensity Consistency even when power supply voltage fluctuations or load impedance fluctuations occur.
- CRLED is used with current stabilization and current limiting

### ■Features

- High Luminous LEDs / 5mm Round Standard Directivity
- Superior Weather-resistance / UV Resistant Epoxy
- Water Clear Type

### ■Absolute Maximum Rating

(Ta=25°C)

Item	Symbol	Value	Unit
DC Forward Voltage	V <sub>F</sub>	20	V
Power Dissipation	P <sub>D</sub>	320	mW
Operating Temperature	T <sub>opr</sub>	-30 ~ +85	°C
Storage Temperature	T <sub>stg</sub>	-40 ~ +100	°C
Lead Soldering Temperature	T <sub>sol</sub>	260°C/5sec	-

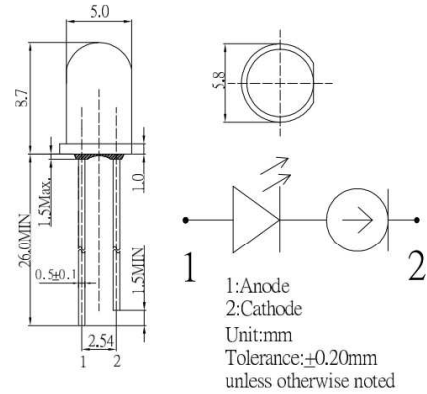
### ■Electrical -Optical Characteristics

(Ta=25°C)

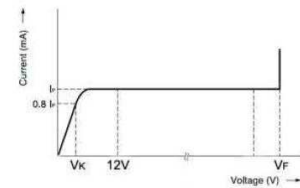
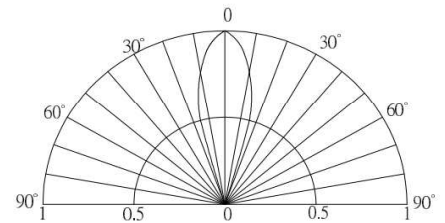
Color	V <sub>F</sub> (V)		I <sub>F</sub> (mA)			I <sub>R</sub> (μA)	I <sub>v</sub> (mcd)*			λD(nm)*			2θ1/2(deg)
	Min	Ma	Min	Typ.	Max.	Max..	Min.	Typ.	Max.	Min.	Typ.	Max.	Typ.
White	5.5	20	-	14	-	10	-	12000	-	V <sub>F</sub> = 12V			30

- \*1 Tolerance of measurements of chromaticity coordinate is ±10%
- \*2 Tolerance of measurements of dominant wavelength is ±1nm
- \*3 Tolerance of measurements of luminous intensity is ±15%
- \*4 Tolerance of measurements of forward voltage is±0.1V

### ■Outline Dimension



### ■Directivity



Explanation of terms  
 I<sub>p</sub> Pinch-off current at 12v  
 V<sub>k</sub> Voltage which produces 0.8Ip or greater current  
 V<sub>F</sub> Breakdown voltage