

高輝度 LED(赤色・3mm)
LK-3RD

3mm Ultra Red LED

OSUR3131A-LM

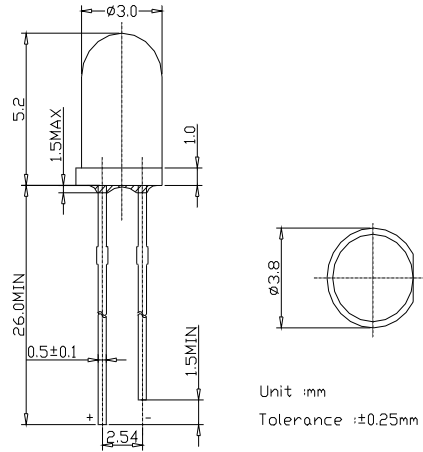
Features

High Power LEDs
3mm Standard Directivity
Water clear Type
Superior Weather-resistance
RoHS compliant

Applications

Automotive Dashboard Lighting
Traffic signal lamp
Back Lighting

Outline Dimension



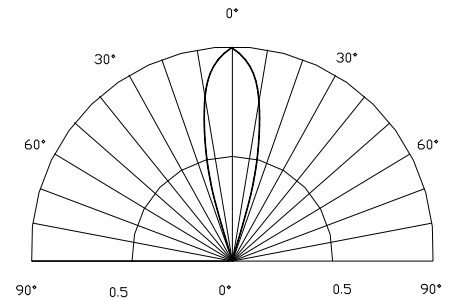
Absolute Maximum Rating

(Ta=25)

Item	Symbol	Value	Unit
DC Forward Current	I_F	50	mA
Pulse Forward Current*	I_{FP}	150	mA
Reverse Voltage	V_R	5	V
Power Dissipation	P_D	200	mW
Operating Temperature	Topr	-30 ~ +85	
Storage Temperature	Tstg	-30 ~ +100	
Lead Soldering Temperature	Tsol	260 /5sec	-

*Pulse width Max.10ms Duty ratio max 1/10

Directivity



Electrical -Optical Characteristics

(Ta=25)

Item	Symbol	Condition	Min.	Typ.	Max.	Unit
DC Forward Voltage	V_F	$I_F=20mA$	1.8	2.0	2.4	V
DC Reverse Current	I_R	$V_R=5V$	-	-	10	μA
Domi. Wavelength	λ_D	$I_F=20mA$	630	635	640	nm
Luminous Intensity	I_v	$I_F=20mA$	1120	1560	2180	mcd
50% Power Angle	$2 \theta_{1/2}$	$I_F=20mA$	-	30	-	deg

LED & Application Technologies

Made in China Oct.2006