

⑪ 高輝度 LED(フルカラー・自己点滅 拡散・5mm)
LK-5RGB-WD

5mm Flashing Red & Blue & Green LED

OSTB5132A

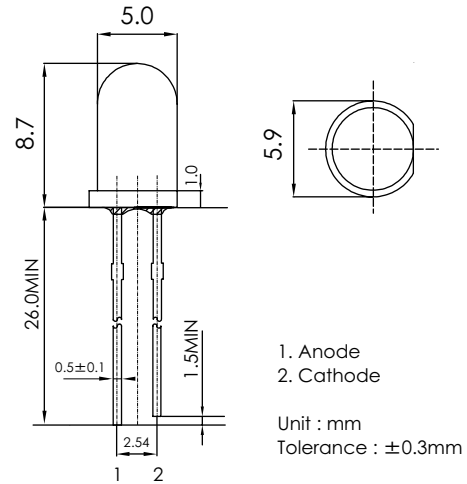
■ Features

- High Luminous LEDs
- 5mm Round Standard Directivity
- Superior Weather-resistance
- Full Color Flashing Type
- Water Diffuse Type

■ Applications

- Toys
- Games
- Audio
- Other Lighting

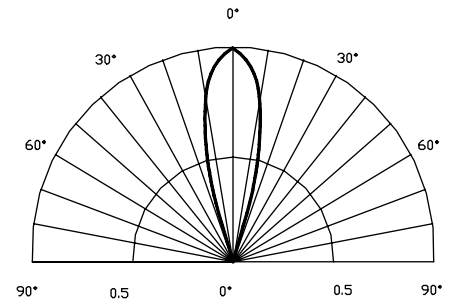
■ Outline Dimension



■ Absolute Maximum Rating (Ta=25°C)

Item	Symbol	Value	Unit
IC Output Current	I _{op}	100	mA
Power Supply	Voltage	5.0	V
Operating Temperature	T _{opr}	-30~+85	°C
Storage Temperature	T _{stg}	-40~+100	°C
Lead Soldering Temperature	T _{sol}	260°C/5Sec	-

■ Directivity



■ Electrical-Optical Characteristics (Ta=25°C)

Item	Symbol	Condition	Min.	Typ.	Max.	Unit
DC Forward Voltage	V _{dd}	I _F =20mA	3.8	4.5	5	V
Blinking Cycle	T		-	33	-	S
DC Reverse Current	I _R	V _R =5V	-	-	10	μA
Domi. Wavelength	λ _D (Red)	I _F =20mA	635	640	645	nm
	λ _D (Blue)	I _F =20mA	465	470	475	nm
	λ _D (Green)	I _F =20mA	520	525	530	nm
Luminous Intensity	I _v (Red)	I _F =20mA	220	330	500	mcd
	I _v (Blue)	I _F =20mA	330	500	750	mcd
	I _v (Green)	I _F =20mA	500	750	1120	mcd
50% Power Angle	2θ _{1/2}	I _F =20mA	-	30	-	deg

*1 Tolerance of dominant wavelength is ±1nm

*2 Tolerance of luminous intensity is ±15%