

| | | | |
|------------------|-------------|-----|-------------|
| 電球型LED・8mm・1.5V用 | LK-8WH-1.5V | 白色 | (W5DK8B31F) |
| | LK-8RD-1.5V | 赤色 | (5RPM8B31F) |
| | LK-8BL-1.5V | 青色 | (B5SA8B31F) |
| | LK-8WH-1.5V | 電球色 | (M5DK8B31F) |
| | LK-8YE-1.5V | 黄色 | (5YPM8B31F) |

E10 Round LED Screw Lamp DC1.2V

Descriptions:

- Long life, easy installation
- Voltages available **0.8~1.8VDC**
- LED model number: XXXX8B31F

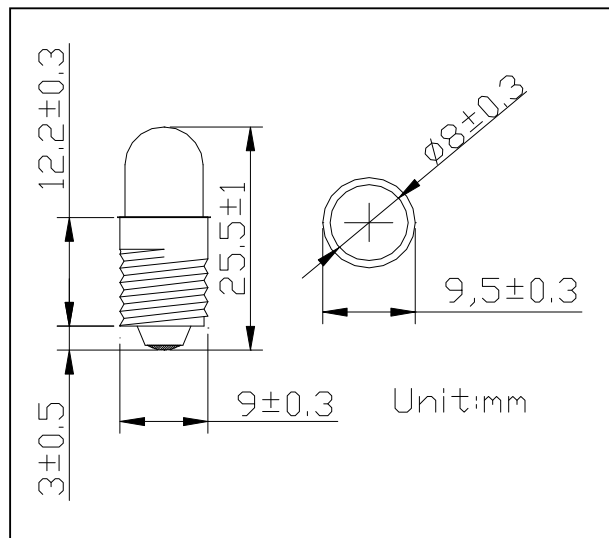
Features:

- Available in Red , Yellow ,Pure Green , Blue , Pure White, Warm White
- High temperature and environmental protection PA material for lamp holder
- Low power consumption
- Energy saving
- Eye protection, no stroboflash, no radiation
- Long life

Application:

- Dashboard Light
- Width-indicator Lamp
- Signal Light

Product Picture and Dimensions:



Device Selection Guide

| Module No. | Color | Wavelength (Typ.) | Intensity / Per LED (Typ.) |
|------------|------------|-------------------|----------------------------|
| W5DK8B31F | Pure White | X=0.27,y=0.28 | 25000mcd |
| M5DK8B31F | Warm White | X=0.44,y=0.41 | 14400mcd |
| B5SA8B31F | Blue | 470nm | 8000mcd |
| 5RPM8B31F | Red | 625nm | 15000mcd |
| 5YPM8B31F | Yellow | 590nm | 15000mcd |
| G5DA8B31F | Pure Green | 525nm | 25000mcd |

Absolute Maximum Ratings(Ta=25°C)

| Items | Symbol | Values | Units |
|-----------------------------|------------------|------------------------------------------|-------|
| Operating Supply Range (DC) | V _{idc} | 1.8 | V |
| Input Current (DC) | I _i | Red ,Yellow | 145 |
| | | Pure White, Warm White, Blue, Pure Green | 120 |
| Power Dissipation | P _a | Red ,Yellow | 0.26 |
| | | Pure White,Warm White, Blue, Pure Green | 0.22 |
| Operating Temperature | T _{ope} | -10~+50 | DegC |
| Storage Temperature | T _{stg} | -20~+70 | DegC |

Typical Performance (Ta=25°C)

| Items | Symbol | Min. | Typ. | Max. | Units |
|-----------------------|----------------|-------------------------------------------|------|------|-------|
| LED Module Power | P _m | Red ,Yellow | | 0.12 | w |
| | | Pure White,Warm White , Blue, Pure Green | | 0.08 | |
| Input Voltage(DC) | V _i | 0.8 | 1.2 | 1.8 | V |
| Product Input Current | I _f | Red ,Yellow | | 25 | mA |
| | | Pure White, Warm White , Blue, Pure Green | | 25 | |
| Beam Pattern | BP | | 30 | | Deg |
| Net Weight | Wei. | | 1.7 | | g |